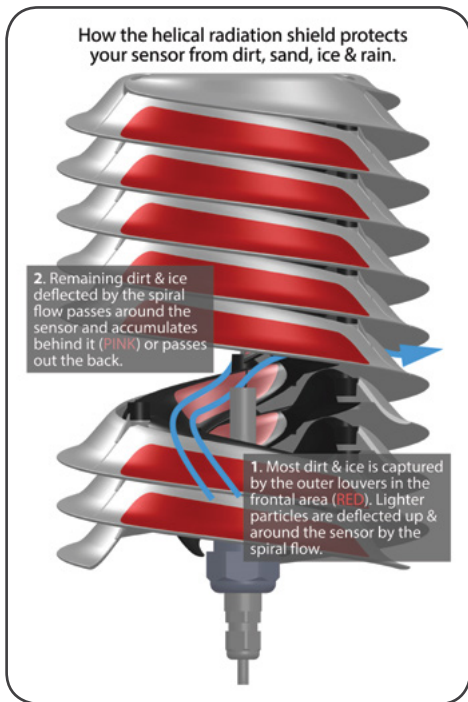




- AGRICULTURE
- AIRPORTS
- BUOY & MARINE
- COASTAL
- HYDROLOGY
- INDUSTRIAL & PLC
- INTRINSICALLY SAFE
- IOT
- METEOROLOGY
- OCEANOGRAPHY
- ROAD MANAGEMENT
- POLAR AND WINTER
- SHIPS
- SKI LIFT & SNOW MAKING
- SMART CITIES
- WEATHER STATIONS

Temperature & Humidity



MeteoShield - Standard

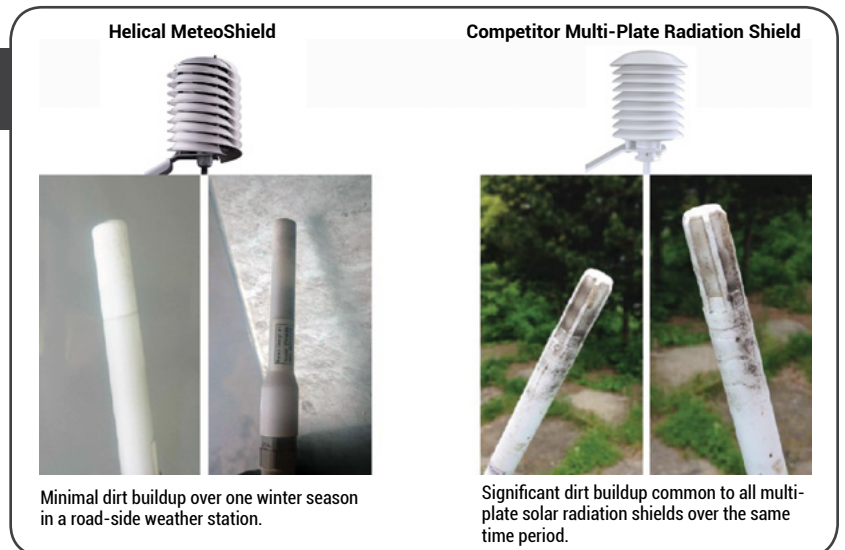
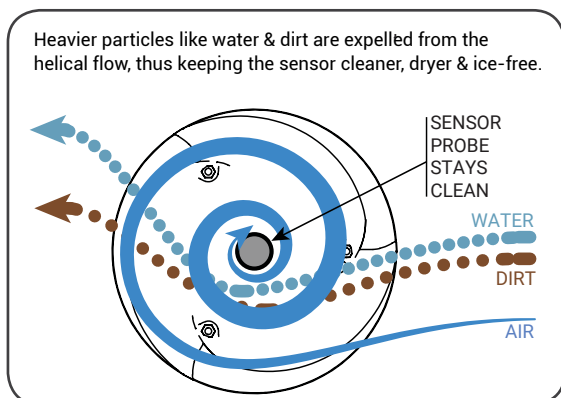
Naturally aspirated helical solar shield/screen. **Helical shape reduces temperature errors** to acceptable levels better than conventional multi-plate shields while offering unsurpassed **protection from the sun, dirt, rain, snow, sand & dust**. Helical shape increases clean air flow and rejects dirt particles away from the sensor, thus increasing maintenance intervals. **For double-helix protection, precision & robustness upgrade to MeteoShield - Professional.**

Maximum sensor protection at a reduced cost

- Highest sensor protection available while providing accurate measurement
- Fast response due to high ventilation rate without sacrificing sensor protection
- Ultimate protection from water spray, ice, sand and sensor dirt buildup
- Offers the most affordable accurate temperature & humidity measurement
- Exceptional water shedding and return to accuracy after rain
- Measurement stability in high-reflectivity environments: snow, desert, city, water...

Higher reliability with better long term temperature stability than traditional multi-plate radiation shields

Keeps your sensors cleaner



Ultimate combination of sensor protection and accuracy for cost-sensitive applications. An unbeatable value.

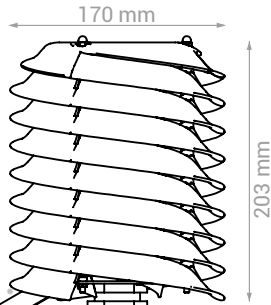
UPGRADE TO HELICAL RADIATION SHIELDS



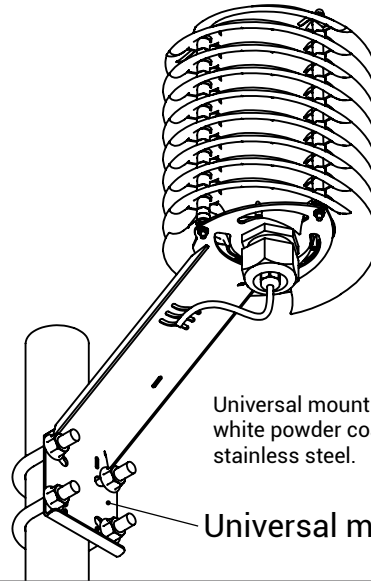


Bottom mount

Standard height of 8 levels can be extended per request to fit any sensor probe.

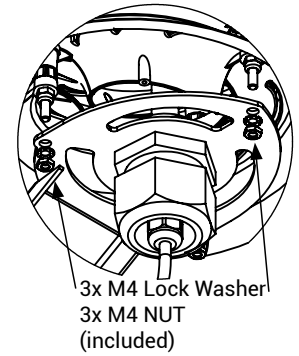


Temperature and Humidity probe RH+T
OR
BARANI MeteoTemp
• Temperature
• Humidity
• Dew Point
• Pressure

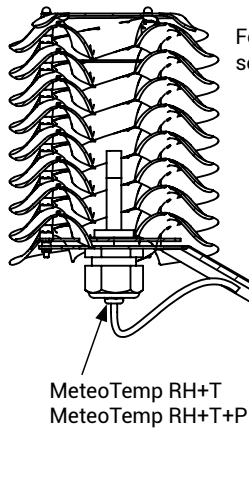


Universal mount from white powder coated stainless steel.

Universal mounting



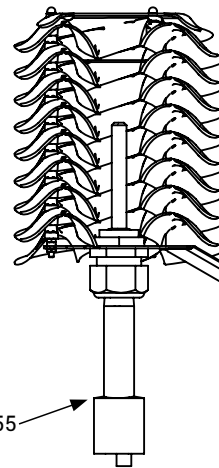
3x M4 Lock Washer
3x M4 NUT
(included)



For best value use RS-485 MeteoTemp sensor probe which outputs:

- Temperature
- Humidity
- Dew point
- Frost point
- Barometric Pressure (optional)

MeteoTemp RH+T
MeteoTemp RH+T+P



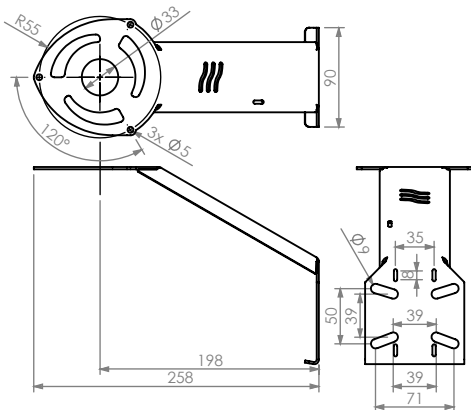
Vaisala HMP-155

Fits up to 1" (26mm) RH+T probes including:

- Vaisala HMP-155
- ROTRONIC MP100, MP400, HC2

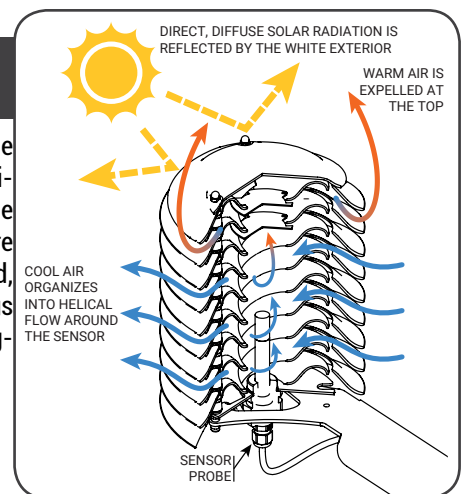
Universal radiation shield mount

2mm white powder coated stainless steel



Helical Protection

Helical radiation shield shape ventilates better than multi-plate radiation shields while maintaining better temperature sensor protection from dirt, sand, dust, rain, snow and ice, thus extending sensor life and long-term measurement stability.



DIRECT, DIFFUSE SOLAR RADIATION IS REFLECTED BY THE WHITE EXTERIOR

WARM AIR IS EXPELLED AT THE TOP

COOL AIR ORGANIZES INTO HELICAL FLOW AROUND THE SENSOR

SENSOR/ PROBE

Reach your Gold Standard of measurement with BARANI sensors. ISO:9001 quality.



PATENTED / REGISTERED: EUIPO 002979179-0001...0006 + more IP protection worldwide

Copyright©2017 BARANI DESIGN TECHNOLOGIES s.r.o. www.baranidesign.com +421 911 286 184 sales@baranidesign.com